

# Level-2 Radionics

## Mastering Radionics Series Book 3



*Radionics is your doorway to a magical world that  
has always been there and always will be.*

**By Pennsylvania Peter V. Radatti**

***Extract of Color Build Instructions***

***Charles Cosimano Equipment***

©January 2021 Peter V. Radatti. All rights reserved.

# **Level-2 Radionics**

**Mastering Radionics Series Book 3**

**ISBN: 9798683507800**

**Black and White Edition**

**ISBN: 9798690089054**

**Color Edition**

**December 2020**

**By: Peter V. Radatti**

**Please note: If you are purchasing the paperback from Amazon.com then the Kindle version of the book is available free under Kindle MatchBook and Kindle Unlimited. The black and white edition of the book contains the same material as the color version but costs less because of lower printing costs.**

**10987654321**

## **Charles Cosimano (Uncle Chuckie)**

Charles Cosimano nicknamed “Uncle Chuckie” is the father of military Radionics and Radionics self-defense. He is also the inventor of many Radionics devices such as the Psionic Amplifying Helmet and the author of many Radionics books. Many Radionics people got their first training from his books.

I find that people are people the world over. I have met many a nice person by walking up to some tough looking guy covered in tattoos, chains, and riding a motorcycle. I also have a lot of military friends who look like nice normal folks but toss them into a fight and they will be the last man standing. My life experiences have taught me to never judge someone by anyone’s opinion but my own. When I first got started with Radionics, way too many years ago, I purchased a library of Radionics books written by Uncle Chuckie. Living in a Radionics desert, his books were a fresh glass of water in a dry climate.

Later, as I started to associate with other Radionics operators, I found that they didn’t agree with what they believed were Uncle Chuckie’s opinions and they considered him a black sheep. I found this hard to believe since I read his books and they deeply influenced me. It may have also helped that I minored in Philosophy in university. I understood everything Uncle Chuckie was saying from a philosophical point of view and could put it in perspective from Plato to Thomas Aquinas to Descartes. Uncle Chuckie traveled a well-known path but made major contributions along the way to Radionics. He hid nothing, did not try to polish anything, or even gloss over anything. He bared the heart of Radionics with what people considered both the good and bad.

The world can be a cruel and predatory place. Uncle Chuckie knows this and cares, therefore, he taught all of us the best he had to offer which is simply the truth. He showed us the worst that could happen, how it works and how to defend against it. You can never be truly safe or happy unless you understand the dangers that lurk and have a ready defense for them.

If you have a deep understanding of the philosophy involved along with an unapologetic view of the world as it exists instead of how we wish it were, then there is nothing to object to in his writings. Even his humor is darkly funny. Who hasn’t wanted to give a fit of flatulence to a pompous windbag?

## **Peter V. Radatti**

All of the people who told me to avoid Uncle Chuckie and to not read his books refer to him in the Potteresque terms of "He who must not be mentioned." They just looked foolish to me since I had already read, understood, and extracted useful information from his books long before I met his detractors. How could anyone refuse to learn? When I finally met Charles, I found him to be a very pleasant, intelligent, well-educated and witty man. We share a love of history. Can he be dangerous? Of course, but I have been surrounded, my entire life, by people who could be dangerous<sup>189</sup> but choose not to be. I can be dangerous but choose not to be. I think it would be difficult to be friends with someone who did not have the potential to defend themselves.

Recently due to events in my life I found myself rereading Charles's *Psionic Warfare* book. I want to step up my self-defense and this is the starting point. During my reading I often found myself thinking, "Oh, that is where I learned this." Reading his books needs to be a rite of passage for anyone who wants to become a master of Radionics. Extract every kernel of truth you can and incorporate them into your own way. Older copies of his books sell for hundreds of dollars per copy, but Charles does not make a dime on them. In fact, he gives digital copies of his books away for free. Even if you are not ready to read them, I suggest you download and save them now. His books can be downloaded from: <http://www.charlescosimano.com/e-books.html>

## **Build Notes**

You will notice the use of hot glue in the build instructions. It is easy to get burned using this type of glue so be careful. If you live someplace hot and expect you might leave the equipment in a closed car then the temperature in the car might be hot enough to melt the hot glue. There are many alternatives to hot glue that will not melt but have other drawbacks such as messy or smelly while curing. I suggest you speak with the people at your store that sells hot glue and other glues.

---

<sup>189</sup> Mostly military and other service personnel but also Mafia, martial artists, and street fighters. There is a difference between those with the potential to be dangerous and those that are insanely dangerous. Growing up in a poor town that was mostly Italian, Polish, Irish and German, there was no crime because the Mafia did not want crime where they lived.

### ***Level-2 Radionics - Mastering Radionics Series Book 3***

You can use wire nuts on some of the projects but I generally prefer to either solder connections or I prefer to use wire crimps. The reason is that unless you wrap the wire nuts in electrical tape they tend to get loose. Just my preference.

In many of the places where I specify different types of wire that is mostly so it is easy to see. You can use all of any type of wire you want as long as it is easy to bend.

Feel free to make changes to the designs. They work as is but you can always customize them for whatever you are doing. If you don't like the customizations go back to the original.

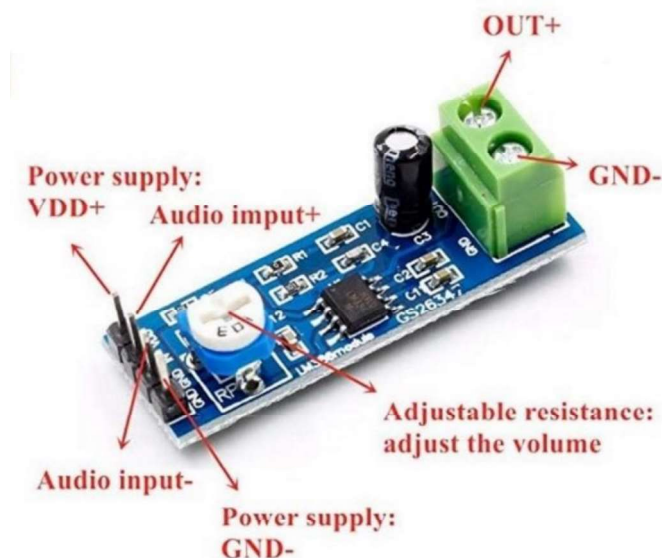
I suggest you not build the Cosimano Equalizer unless you intend to use it. It is a powerful weapon but in the end, it is a weapon. You need to be comfortable with weapons otherwise having it around would be a waste.

## Cosimano Equipment

For decades, Charles Cosimano has been designing Radionics equipment and writing Radionics books. He is a sought-after Radionics teacher and consultant. Many of his designs are inexpensive and fully functional. Since the year 2020, Charles discontinued selling equipment and started working toward designing very low-cost Radionics equipment for people who cannot afford a machine or are just beginners who cannot justify the large expense out of the gate. He has always published plans for many of his machines in his books. His entire library of books is available for free from his website. Presented here are classical Cosimano Radionics instruments. Presented by permission of Charles Cosimano. <http://www.charlescosimano.com/>

The instruments that show an amplifier board use the **LM386 amplifier board**. The LM386 board provides 200 times gain audio power in mono, not stereo. 5V-12V input. These typically sell for \$1 each in small quantity. Available from Amazon.com at [https://www.amazon.com/Onyehn-Amplifier-Module-5V-12V-Arduino/dp/B07P38H4P8/ref=sr\\_1\\_2?dchild=1&keywords=arduino+amplifier&qid=1590164441&sr=8-2](https://www.amazon.com/Onyehn-Amplifier-Module-5V-12V-Arduino/dp/B07P38H4P8/ref=sr_1_2?dchild=1&keywords=arduino+amplifier&qid=1590164441&sr=8-2)

The LM386 chip that makes the board work is interesting. Here are the specification sheets from Texas Instruments: <https://www.ti.com/lit/ds/symlink/lm386.pdf> Input voltage is somewhat variable but best performance is 12vdc. A standard 9vdc battery will also work at reduced performance.



I am not presenting actual electronic schematics but easy to use build diagrams It is unknown if anyone still makes these devices but sometimes people sell devices based on the Cosimano designs on eBay.com and Etsy.com.

## **Cosimano Psionic Amplifying Helmet**

If you could only associate one Radionics machine with Charles, it would be his helmet designs. He is famous for them because they can do things that no other Radionics machine can easily do. We present two designs here, the Psionic Amplifying Helmet and the Powered Psionic Amplifying Helmet. The Psionic Amplifying Helmet should be attached to a Radionics machine.

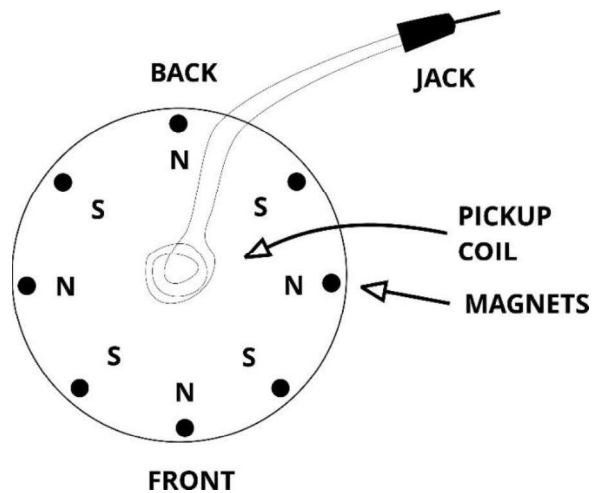


The Psionic Amplifying Helmet contains only magnets and a central pickup coil. The cable from the coil is then plugged into any Radionics device. To assemble, glue donut magnets to the inside of the helmet as specified in the diagram below. Notice that the polarity of the magnet shown is as it points inward to the head. Make the coil by taking two pieces of two-sided foam tape and laying them out as a cross. Using coated normal vinyl coated wire leave a long length as a starting tail and start to coil the wire from the outside of the cross to the inside of the cross. When you get close to the inside of the coil bring the wire out and leave a length to match the starting tail. Using hot glue or some other material like epoxy to glue all of the wire together so that it cannot move. You should also cover any remaining two-sided tape so it does not show. Trim any excess tape from the edges. You may want to put hot glue on the back of the coil to make sure it is strong. See photos. Peel the paper away from the back of the two-sided tape and press into the top of the helmet. Normally the tail drapes to the back. If you are concerned that the two-sided tape is not strong enough, glue it in place. Match the

**Peter V. Radatti**

two tales up and put the appropriate type of connector on the end so that you can connect it to whatever Radionics machine you own. You can also leave the tales short then use wire nuts or wire crimps to connect to a jacketed two conductor wire like speaker wire as shown in the photo above.

Assembly time is about one hour. Equipment needed: glue gun, soldering iron for coil cable, and a drill to make hole for cable. You can also just tuck the cable between the liner and the helmet shell with a little hot glue to act as a strain relief if you don't have a drill. There are no dials on this device. There is a connecting cable with the pickup coil at the top of the head and the magnets surrounding the crown.



There is a better diagram of the magnet placement in the build diagram for the Powered Helmet.



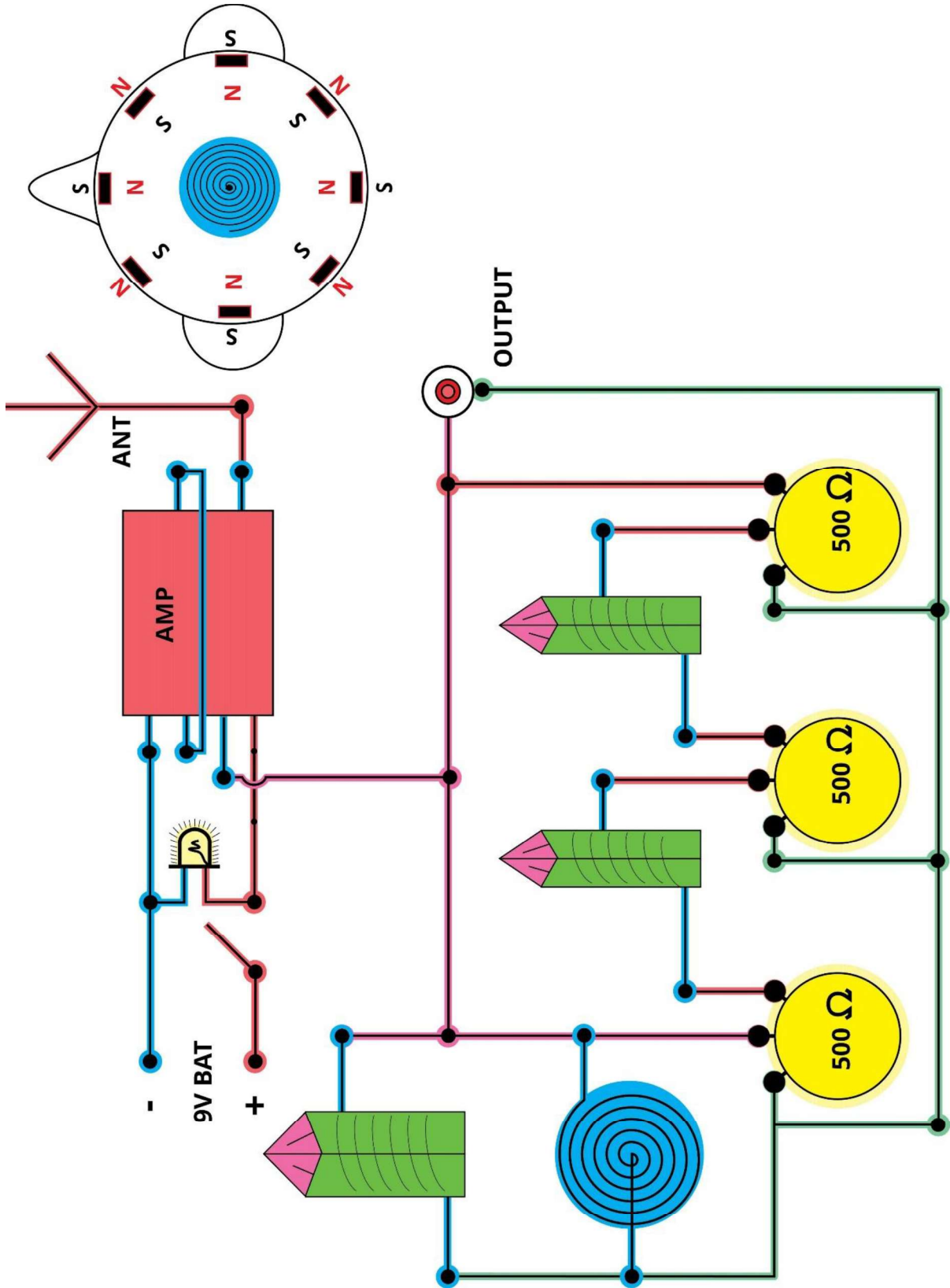


# **Cosimano Powered Psionic Amplifying Helmet**

This is the Powered Psionic Amplifying Helmet. It contains a small 3-dial Radionics machine within the helmet and can be used as a stand-alone Radionics machine or in combination with other Radionics devices to address more complex challenges. To set the rates on the dials, cold scan them for the appropriate settings.

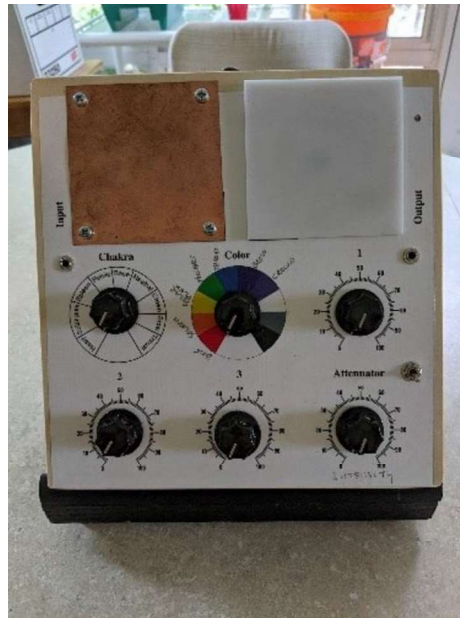


This is a self-contained version of the Cosimano Psionic Amplifying Helmet. Start off building the classic helmet using the instructions above, then either build the small Radionics machine into the helmet as show in the photo above and the build diagram on the next page or contain the Radionics machine into its own box which you can attach to the classic helmet. There are no rates on this device. Every use is a cold scan. The pickup coil goes at the top of the head. The magnets surround the crown. The components (green & pink column with a point) you see between the potentiometers and elsewhere are quartz crystals in a copper magnet wire coil. The amp is the LM386 card.



## Cosimano Chakra Box

This is a fully functioned Radionics box that is easy and inexpensive to build. It is a great machine for beginners because of its low cost and easy construction. Typical use of this machine involves cold scanning for a 3-dial rate, chakra, and color. The Input Well is a copper plate and the Output Well is a plastic covered coil.



**Peter V. Radatti**

The spaces on the color wheel and the Chakra wheel are not necessary. Keep in same order but dowse for proper spacing. If you have the black and white version of this book, the Colors/Chakras from right to left are Red/Base, Orange/Spleen, Yellow/Solar Plexus, Green/Heart, Blue/Throat, Indigo/Brow, and Violet/Crown. The remainder of the dial is undefined.

If you want to buy knobs with the scale sheets ready to go rather than draw a 0-100 scale sheet you can buy them from Amazon.com.

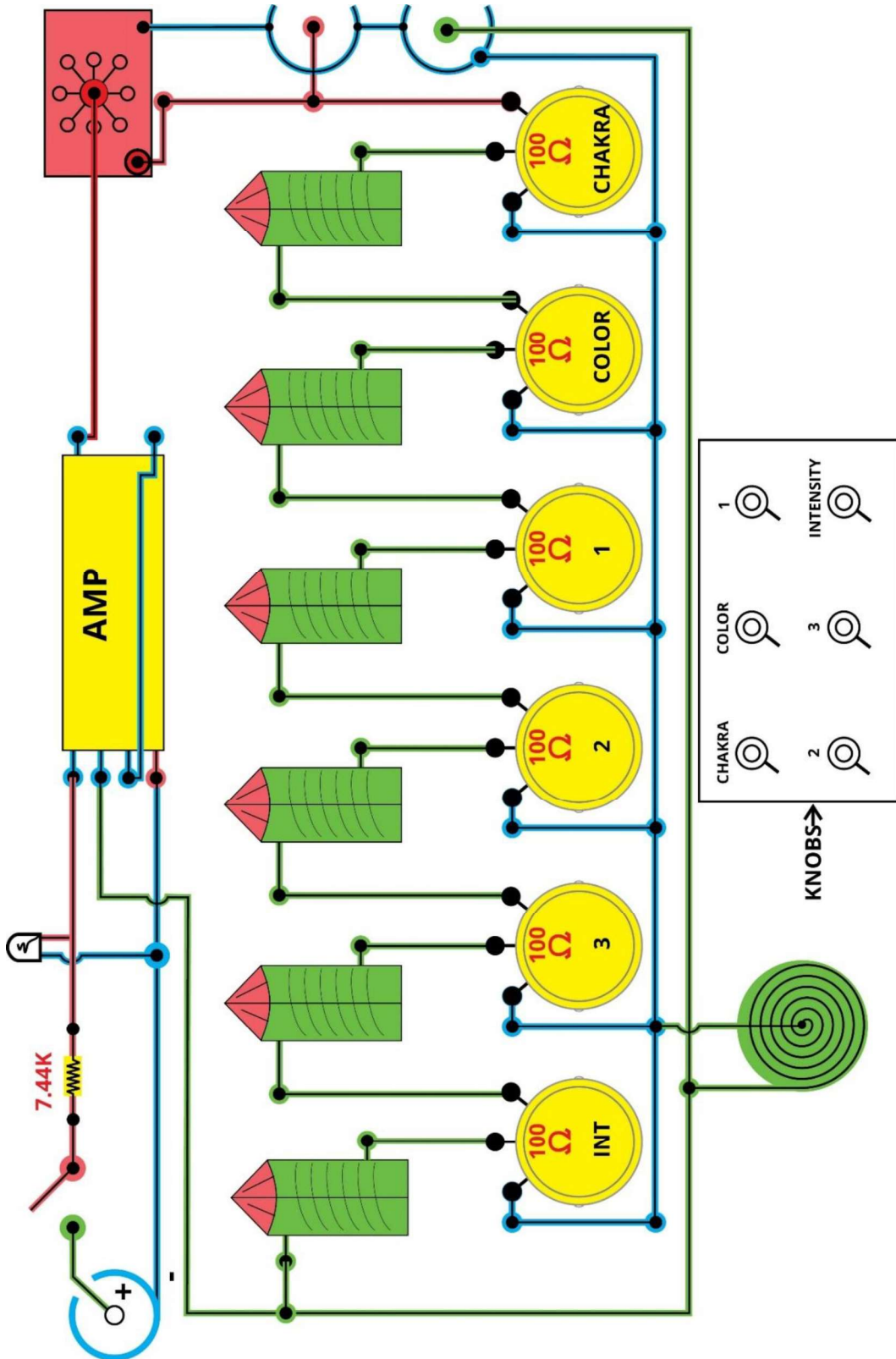


The components (green & pink column with a point) you see between the potentiometers and elsewhere are quartz crystals in a copper magnet wire coil. The Amp is the LM386 card.

The pickup coil (green) is glued to the bottom of the plastic stick plate.

The transmit wire from the LM386 card is attached to the copper plate (pink) and has a printout of a magnetron attached to the underside.

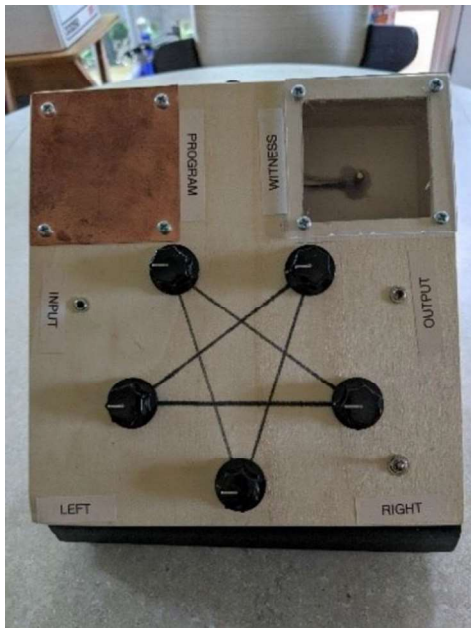
Where you place the dials on the box is a matter of personal taste. The jacks at the bottom of the diagram are from right to left, Input and Output jack connectors.



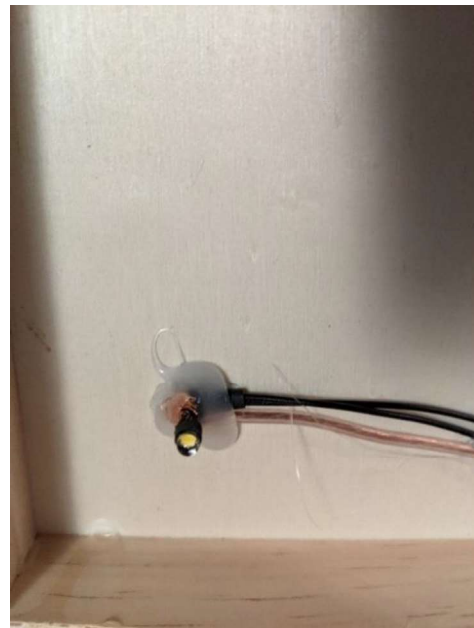
## Cosimano Equalizer

The Equalizer is a Radionics weapon. It is normally combined with the Psionic Amplifying Helmet and the Chakra Box when doing defensive work. The Equalizer should be kept out of the hands of novices. Notice there are no numbers on the dials. All rates are cold scanned for one-time use at that moment. This device would normally be used as part of a chain of equipment starting with a Cosimano Helmet connected to a Chakra Box which is then connected to the Equalizer. The witness could be set on either or both boxes on the witness plate while the operator holds an image of the witness in their mind. Program plates are reserved for sigils or crystals containing complex Radionic programs.

Again, this is a weapon. If you would not trust someone with a handgun, you should not trust them with this device. While some will criticize the inclusion of this device here, I am a firm believer in self-defense. When your choice is to defend yourself or die the choice is clear to me.



Outside of box showing plate and window

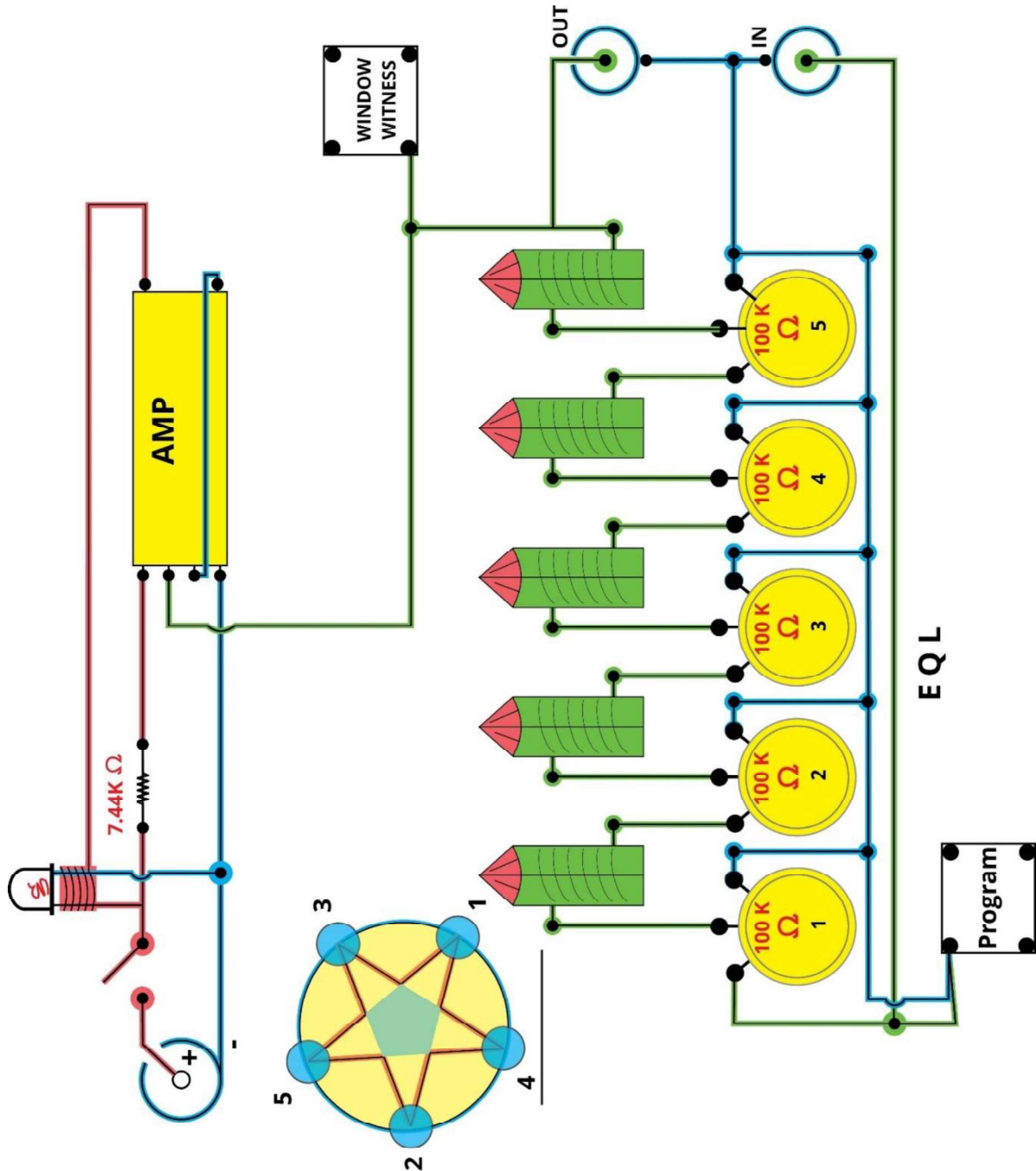


LED under clear window with braiding wrapped around

The components (green & pink column with a point) you see between the potentiometers and elsewhere are quartz crystals in a copper magnet wire coil. The amp is the LM386 card. Keep the arrangement of the dials as you see in the photo above. Notice there is no intensity knob as such is unnecessary to the operation of this system.

## Level-2 Radionics - Mastering Radionics Series Book 3

The clear window—Witness Plate—has a white LED facing up below it. The base of the LED is covered in nonconductive shrink wrap or tape. The braided wire from the Out connector of the amp braided wire is wound around the base of the LED so there is no contact with the power leads of the LED. Hot glue is used to hold the wire in place. Please note that the clear window is not show in the diagram on the next page. The star diagram shows the placement of the potentiometers.



## **Cosimano Hand Resonator**

This is a small unobtrusive handheld Radionics machine. It is perfect for making the pest that keeps hitting on your spouse lose interest and leave.

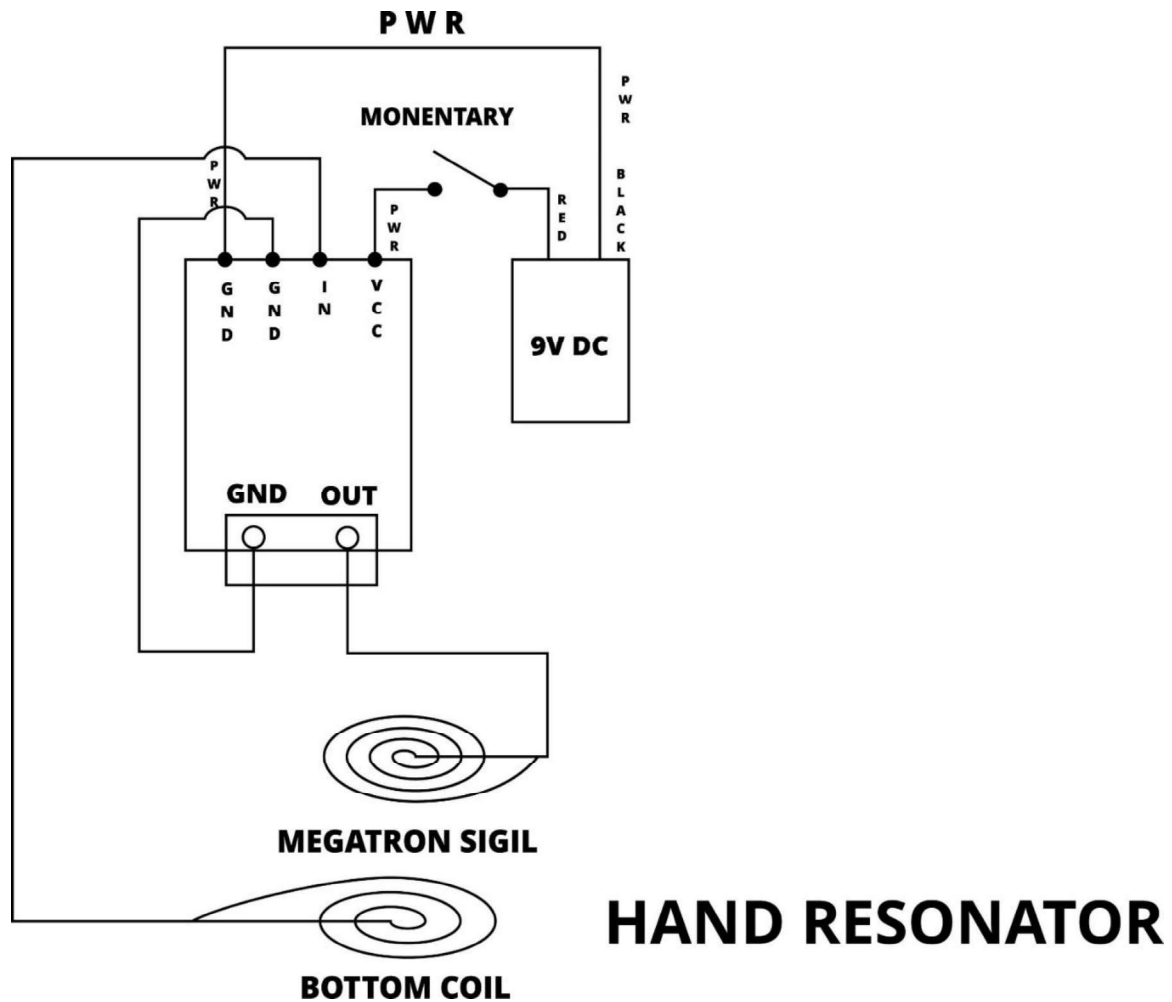


The two coils on this device are made by bending magnetic copper wire into a coil shape. The two coils are placed with a printout of a magnetron sigil between them. It is not actually necessary to point this device at the target. Just hold it in your pocket, look at the target while thinking about what you want to happen.

For example, a person you despise is being a wind bag at a public forum and you decide to give them a bout of flatulence. Their choice will be to cut their speech short, excuse themselves or embarrass themselves.

The advantages of this device are many, the limitations are line of sight.





## Cosimano Handheld Vampire Box (Energy Transfer)

The Handheld Vampire Box is an energy transfer system. It can be used to move energy from the planet, solar system, God, or an enemy to wherever you need it. When used in the defensive mode, the enemy loses energy and may break off the attack. <sup>190</sup> You can transfer this energy to yourself for self-defense. Enemy attacks can drain your energy, so this is just a way of weakening them while strengthening your defensive reserves. When used in this way, consider it a cosmic debt collector. When used with a cosmic source, look at it was a way to delivery life force energy to the target.

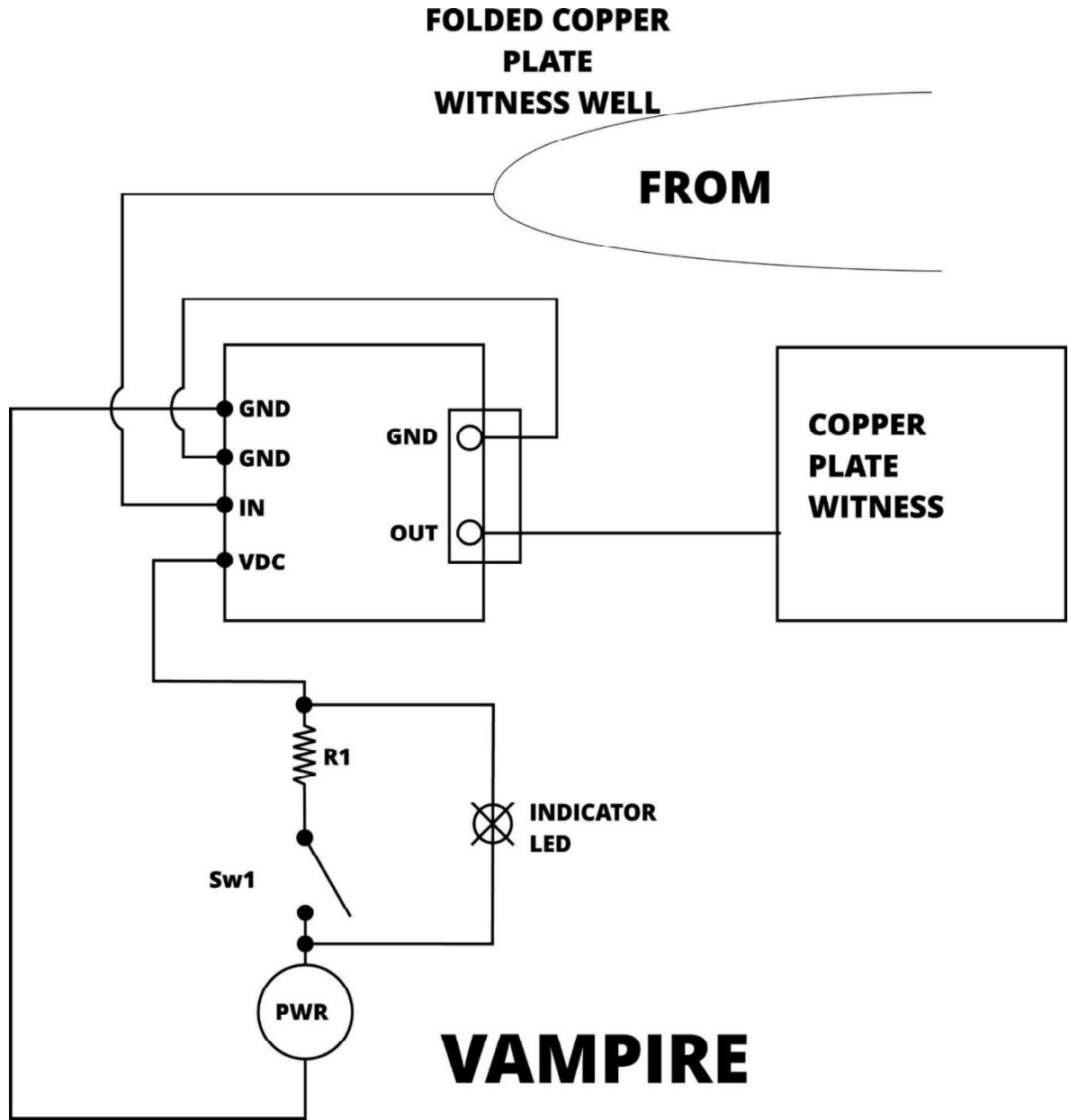
---

<sup>190</sup> They may think to themselves, "I am tired. Instead of attacking XYZ, I think I will just watch TV. Where is that bag of chocolate chip cookies?"

**Peter V. Radatti**



When building this be especially careful that the copper plates do not short out. If the top copper SEND TO Witness Plate touches the DRAW FROM Witness Plate, the device will not work. This problem is easier to do that you think but use of electrical tape can prevent the short.



## Cosimano Radionics Microphone

This device allows you to send your voice or music via Radionics. It works best when the target is asleep. The uses for this are limitless including sending thoughts to others. Think about helping others to lose weight. "You are confident in your ability to control your eating and exercise. You ARE losing weight and WILL obtain your ideal weight. You do not crave or desire any food that is bad for you." In a defensive mode, you can send

**Peter V. Radatti**

thoughts like, "I have lost interest in attacking XYZ. I am tired of attacking. I will stop attacking. I feel guilty about attacking XYZ." If the person you are defending against was very bad, you can consider sending something like the song, "It's a Small World, After All." It can also be used to send thoughts to spiritual beings; however, that can be very dangerous and you should not do that without expert assistance.



## Level-2 Radionics - Mastering Radionics Series Book 3



### What's in the Box



### Pyle Professional Dynamic Vocal Microphone - Moving Coil Dynamic Cardioid Unidirectional Handheld Microphone with ON/OFF Switch Includes 15ft XLR Audio Cable to 1/4" Audio Connection - PDMIC59

Visit the Pyle Store

★★★★★ 3,263 ratings | 454 answered questions  
**#1 Best Seller** in Vocal Dynamic Microphones

List Price: \$24.99  
 Price: **\$19.00**  
 You Save: \$5.99 (24%)

Get \$60 off instantly: Pay \$0.00 upon approval of the Amazon Prime Store Card.

Not eligible for Amazon Prime. Available with free Prime shipping from other sellers on Amazon.

Style: **Switch**

Mic	Switch
\$13.98	<b>\$19.00</b>
<small>prime</small>	



Visit the uxcell Store

### uxcell BNC Male Plug to Two Banana Female Jack Coaxial Connector Adapter 5pcs

★★★★★ 10 ratings

**Amazon's Choice** for "bnc to banana"

Price: **\$19.49** (\$3.90 / Each Set) **prime**

New (3) from \$19.49 **prime** FREE Shipping

#### Specifications for this item

Brand Name	uxcell
Ean	0712662031253
Model Number	a15060400ux0502
Number of Items	5
Part Number	a15060400ux0502
Size	BNC Male 5pcs
UNSPSC Code	39121400
UPC	712662031253



### CESS-020 1/4 Inch TS to Dual Banana Plug Speaker Adaptor, 6 Inch - Mono 6.35mm Female Jack to Banana Cable - 2 Pack

Brand: CNESS

★★★★★ 45 ratings | 7 answered questions

**Amazon's Choice** for "banana plug to 1/4 speaker cable"

Price: **\$14.89** **prime** & FREE Returns

Get \$125 off: Pay \$0.00 upon approval for the Amazon Business Prime Card. Terms apply.

- 1/4 Inch TS to Dual Banana Cable
- This cable is designed to adapt a speaker cable with a phone plug to universal binding posts. It is ideal for DJ applications
- Intended for high-current applications only, not line level signals
- Cable Length: 6 inches
- Package includes 2 Cables



**ANHAN BNC Male to 2 BNC Female Adapter 3 Way Tee T Type Triple Jack Connector Splitter Connector F/M/F Coax Coaxial Adapter**

Brand: ANHAN

★★★★☆ 3 ratings

Price: **\$8.99** Prime FREE Delivery & FREE Returns

Get \$125 off: Pay \$0.00 upon approval for the **Amazon Business Prime Card**. Terms apply.

Available at a lower price from **other sellers**, potentially without free Prime shipping.

- Type: coaxial,RF Adapter,Commercial Grade BNC Series Adapters. Connector Material:Pure brass with Great connectivity.(Not Alloy),Nickel Plated
- Type BNC: with inner diameter of outer conductor 6.5 mm (0.256 in) With bayonet lock-Characteristic impedance 50Ω. These connectors are for low power, quick connect/disconnect applications using a bayonet type coipping mechanism .They are widely used connect of the RF coaxial- cables in electronic equipment and instruments.
- BNC adapter is one of over 40,000 available RF, microwave and millimeter wave components. Our BNC to BNC adapter is is a in BNC series coaxial adapter design. This BNC adapter is precision manufactured to RF components industry specifications. BNC to BNC adapter has a 3 Way body. This coax adapter is also known as a BNC T connector.
- Connectors: BNC Female and BNC male , One side connector is BNC male( Inner Pin) and the other two sides connectors are BNC Female ( Inner bore).
- Connect BNC Male to 2 BNC Female Device, Great for many projects which involves BNC Male to 2 BNC Female connector. Allows an RF signal to be split into two signals.Works well with RG58 and RG59 Cables.

## Cosimano Star Blaster

This is the next step up from a paper Radionics symbolic machine. It is a mental Radionics device that has no dials and does not use stick. It is made from cardboard, a printout of a magnetron sigil, kitchen aluminum foil, sticky tape or glue. There is a page in this book that has the magnetron and instructions for its download.

To make the Star Blaster glue pieces of aluminum foil on both ends of a piece of cardboard, leaving the middle empty. Each piece of foil should be big enough to rest your open hand flat on the foil. Using a printer make a printout of the magnetron sigil and glue it to the center. The foil must touch the paper. That is the completed system and it is fully functional.

To use, place one had, palm down, on each of the aluminum foil pads and concentrate on the magnetron figure while thinking what you want to accomplish. If you have a witness, you may place it on the central sigil but it is optional.

**Level-2 Radionics - Mastering Radionics Series Book 3**



# **US Government Documents Showing the Use of Cosimano Principles for Radionic Defense**

When a major publication such as Popular Mechanics publishes an article on Cosimano Radionics Principles, you can be sure there is more to the article. I cannot reproduce the article here so I have a URL.

<https://www.popularmechanics.com/military/weapons/a19855256/muckrock-foia-psycho-electric-weapons/>

The document was released by the Washington State Fusion Center under U.S. Freedom of Information Act (FOIA) so I reproduced one page. These documents appear to have been released by accident. Interesting, isn't it? Personally, I don't believe in accidents.

When I read the first page, I was surprised. These principles clearly originated from Charles Cosimano and could be accomplished by Radionics. I believe Psycho-Electronic Weapon Effects is just the government way of saying Radionics. Why use one word when you could use four?<sup>191</sup> Actually, there is a good reason. It hides the source material from the un-knowledgeable. While electromagnetic frequencies can also do some of these, why use the word *Psycho*? The word *Psycho*<sup>192</sup> must be referring to the means of generation which I believe is Radionics. Using electromagnetic stimulus to implement these effects means the effect will always be limited to existing within the envelope of the field effect. Using Radionics means no limit to where or when.

In any case, I didn't let the cat out of the bag, my humble book will never reach the circulation of Popular Mechanics and if anything, it is gratifying that the US Government is not letting a powerful and useful technology go to waste. Especially since Russia has admitted to using the same technology.

All of the listed effects can be done using Radionics.

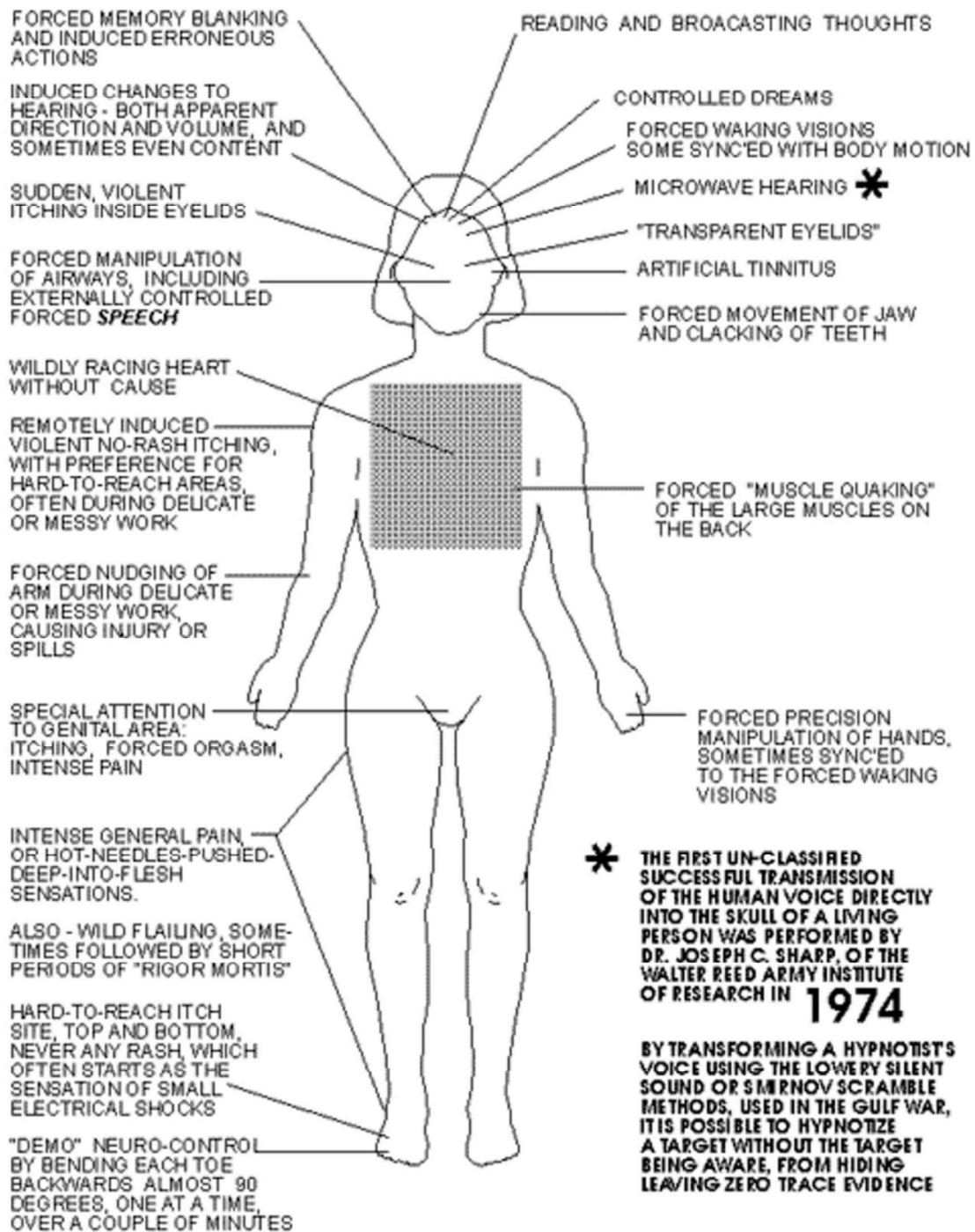
---

<sup>191</sup> The old but true joke is that all governments publish documents by the pound, not content.

<sup>192</sup> The Free Dictionary by Farlex: psycho-(word root) mind, spirit, soul.



**Level-2 Radionics - Mastering Radionics Series Book 3**



**\* THE FIRST UN-CLASSIFIED SUCCESSFUL TRANSMISSION OF THE HUMAN VOICE DIRECTLY INTO THE SKULL OF A LIVING PERSON WAS PERFORMED BY DR. JOSEPH C. SHARP, OF THE WALTER REED ARMY INSTITUTE OF RESEARCH IN 1974**

**BY TRANSFORMING A HYPNOTIST'S VOICE USING THE LOWERY SILENT SOUND OR SMIRNOV SCRAMBLE METHODS, USED IN THE GULF WAR, IT IS POSSIBLE TO HYPNOTIZE A TARGET WITHOUT THE TARGET BEING AWARE, FROM HIDING LEAVING ZERO TRACE EVIDENCE**

GENERAL EFFECTS: SUDDEN OVERHEATING, ALL-BODY PAIN, FORCED "CAFFEINE FIELD" SLEEP PREVENTION, FORCED "DROP-IN-YOUR-TRACKS" SLEEP INDUCEMENT, IRRESISTIBLE "GO HERE, GO THERE" COMMANDS, MICROWAVE BURNS, ELECTRIC SHOCKS  
 INVOLUNTARY TEST SUBJECTS ALSO EXPERIENCE: FREQUENT BREAK-AND-ENTERS AT HOME AND AT WORK WITH CLOTHING AND FURNITURE, BUSINESS PAPERS, COMPUTER FILES SABOTAGED MODIFIED OR STOLEN. PSYCHOLOGICAL WARFARE RESEARCH IS THE LIKELY MOTIVE.

**PSYCHO-ELECTRONIC WEAPON EFFECTS**

[www.raven1.net](http://www.raven1.net)

## **Magnetron**

I commissioned creation of a vector graphic version of the magnetron and made it available both here and as a free download from [www.radatti.com/books/level2](http://www.radatti.com/books/level2)

The magnetron sigil is extremely useful in Radionics. First, it can be used to increase the effectiveness of any Radionics device—powered or symbolic. It can also be used as an antenna like how it is used in the world of microwave energy. You may see magnetron graphics with swirls. Dowse for the one most appropriate.

